



Double Wall Oven

FPET2785K F

27" Electric



Product Dimensions

Height	50-7/16"
Width	27"
Depth	24-1/2"

More Easy-To-Use Features

One-Touch Options

Our ovens feature easy-to-use one-touch buttons so you can cook pizza or chicken nuggets — or even add a minute to the timer — with the touch of a button.

Smudge-Proof Stainless Steel

Protective coating reduces fingerprints and smudges so it's easy to clean.

Delay Start

Set your oven to begin cooking on your schedule. It can be programmed from one to 24 hours.

SpaceWise® Half Rack

Flexible rack system that adjusts to cook multiple dishes at once. Remove the half rack and you'll have extra height for tall dishes.

Effortless™ Convection

Takes the guesswork out of convection cooking — our oven does the converting for you.

"My Favorite" Setting

Easily program your most used setting with the touch of a button.

Even Baking Technology

Our latest technology ensures even baking every time.

Auto Oven Shut-Off

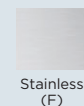
As an extra safety measure, the oven will automatically shut off after six hours.

PowerPlus® Broil

Added power means you can broil food more evenly.

Sabbath Mode (Star-K® Certified)

Available in:



Based on single rack cooking performance, not set temperature, using PowerPlus® Preheat.

Signature Features



PowerPlus® Preheat

Preheat in less than six minutes.¹



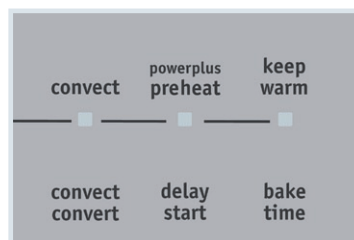
True Convection

Multi-rack baking is faster and more even with True Convection.



Pro-Select® Controls

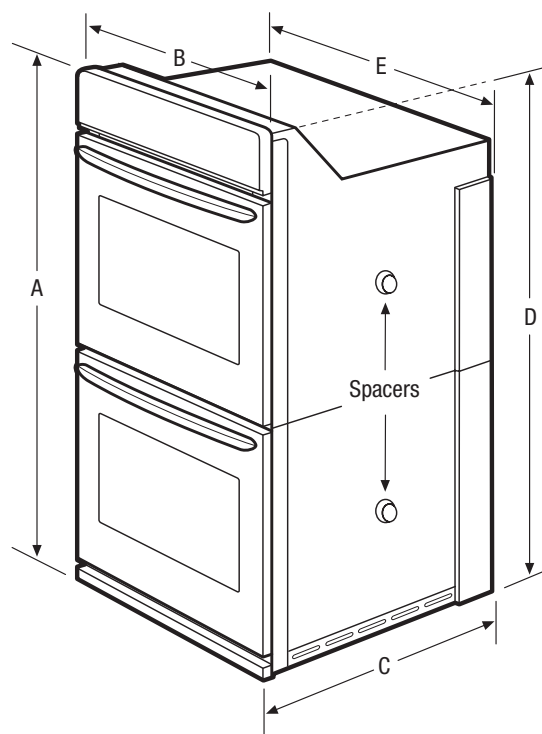
Precise control at your fingertips.



One-Touch Keep Warm Setting

Just one touch of a button keeps food warm until everything — and everyone — is ready.

Features	
Oven Control/Timing System	Pro-Select®
Windows	Extra-Large with Pro-Tint Finish
Exterior Door Finish	Smudge-Proof Stainless Steel
Handle Design	Stainless Steel
Oven Cleaning System	Self Clean
Oven Controls	
Bake/Broil	Yes/Variable (400 - 500 °F)
Effortless™ Convection Conversion	Yes
Convection Bake/Broil/Roast	Yes/Yes/Yes
Oven Preheat	PowerPlus®
My Favorite	Yes
Chicken Nugget Button	Yes
Pizza Button	Yes
Keep Warm	Yes
Add-a-Minute	Yes
Delay Start	Yes
Self-Clean/Clean Option	Yes/Rapid
Delay Clean	2, 3, 4 Hours
Kitchen Timer/Timed Cook Option	Yes
Control Lock	Yes
Auto Oven Shut-Off	Yes
Oven Lock-Out	Yes
Upper Oven Features	
Capacity (Cu. Ft.)	3.5
Convection System	True Convection
Oven Light	2
Hidden Bake Element	Yes
Rack Configuration	1 Heavy Duty, 1 SpaceWise® Half Rack, 1 Offset Rack
Baking System	Even Baking Technology
Broiling System	PowerPlus® Broil
Bake/Broil Element (Watts)	1,450/3,400
Lower Oven Features	
Capacity (Cu. Ft.)	3.5
Convection System	True Convection
Oven Light	2
Hidden Bake Element	Yes
Rack Configuration	1 Heavy Duty, 1 SpaceWise® Half Rack, 1 Offset Rack
Baking System	Even Baking Technology
Broiling System	PowerPlus® Broil
Bake/Broil Element (Watts)	1,450/3,400
Optional Accessories	
3"-High Stainless Steel Bottom Trim	(F) PN# 903114-901S
Certifications	
A.D.A. Compliant	
Sabbath Mode (Star-K® Certified)	Yes
Specifications	
Oven Interior (H x W x D)	16-1/2" x 20-1/2" x 18-1/32"
Power Supply Connection Location	Left Bottom Rear
Voltage Rating	240V/208V/60Hz
Connected Load (kW Rating) @ 240/208 Volts	8.2/6.2
Amps @ 240/208 Volts	34.2/29.8
Minimum Circuit Required (Amps)	40
Shipping Weight (Approx.)	265 Lbs.



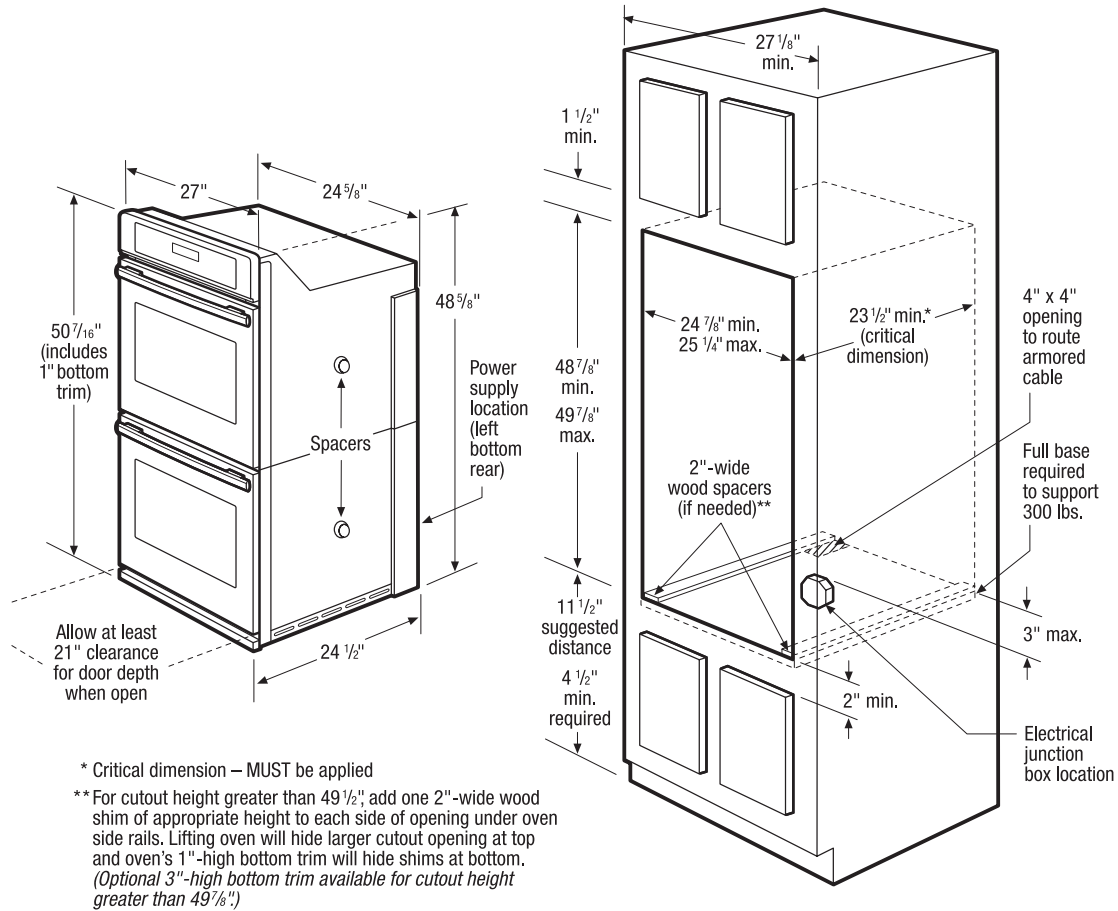
NOTE: For planning purposes only. Always consult local and national electric codes. Refer to Product Installation Guide for detailed installation instructions on the web at frigidaire.com.



Product Dimensions	
A - Height	50-7/16"
B - Width	27"
C - Depth	24-1/2"
D - Height (Wrapper)	48-5/8"
E - Width (Wrapper)	24-5/8"
Depth with Door Open 90°	44-1/2"

Cutout Dimensions	
Height (Min.)/(Max.)	48-7/8" / 49-7/8"
Width (Min.)/(Max.)	24-7/8" / 25-1/4"
Depth (Min.)	23-1/2"

Accessories information available on the web at frigidaire.com



Double Wall Oven Specifications

- Product Shipping Weight (approx.) - 265 Lbs.
- Single phase 3- or 4-wire cable, 120/240 or 120/208 Volt, 60 Hertz AC only electrical supply with ground required on separate circuit fused on both sides of line.
- Connected Load (kW Rating) @ 240/208 Volts = 8.2/6.2kW
- Amps @ 240/208 Volts = 34.2/29.8 Amps
- Recommended Circuit Breaker - 40 Amps
- Always consult local and national electric codes.
- Minimum 21" clearance for oven door depth when open.
- Suggested distance from floor is 11-1/2". Minimum required distance is 4-1/2".
- Minimum 23-1/2" deep cutout dimension is critical for proper installation, to ensure that oven's faceplate will fit flush against cabinet front.

- To adapt oven to fit cutout height greater than 49-1/2", add one 2"-wide wood shim of appropriate height to each side of opening under oven side rails. Lifting oven will hide larger cutout opening at top and oven's 1"-high bottom trim will hide shims at bottom. (Standard 1"-High Bottom Trim included.)
- To adapt oven to fit cutout height greater than 49-7/8", optional 3"-High Bottom Trim available.
- Full oven base of solid plywood or similar material required, capable of supporting 300 Lbs.
- Base must be level and cabinet front must be square.
- Double Wall Oven is NOT approved to be used in stackable or side-by-side installation.

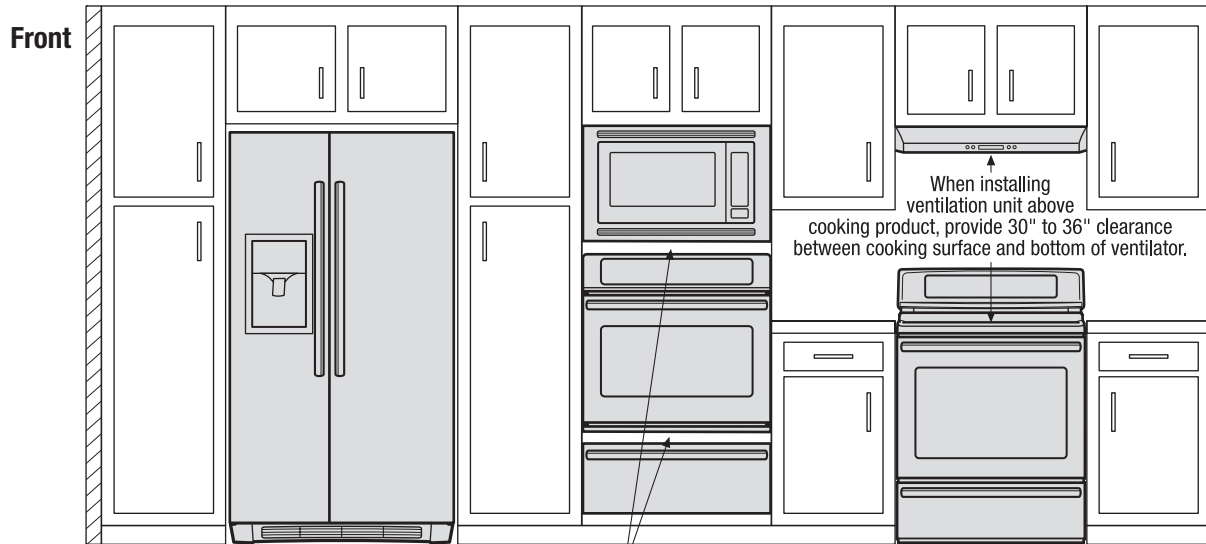
Note: For planning purposes only. Refer to Product Installation Guide on the web at frigidaire.com for detailed instructions.

Optional Accessories

- 3"-High Stainless Steel Bottom Trim - (PN# 903114-901S).



Use these dimensions and clearance instructions for planning purposes only. For detailed installation instructions, refer to installation guide, packed with product, or on the web at frigidaire.com.

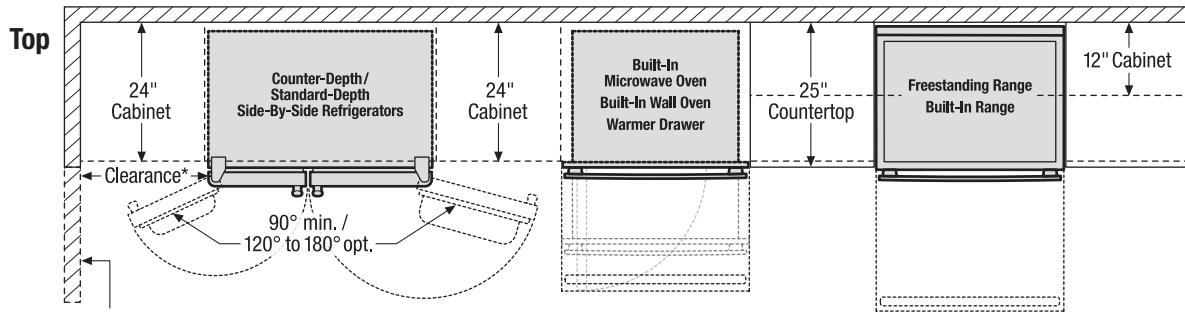


Front

When installing ventilation unit above cooking product, provide 30" to 36" clearance between cooking surface and bottom of ventilator.

When installing built-in cooking appliances in combination, 2"-high minimum visible gap between appliance faceplates required.

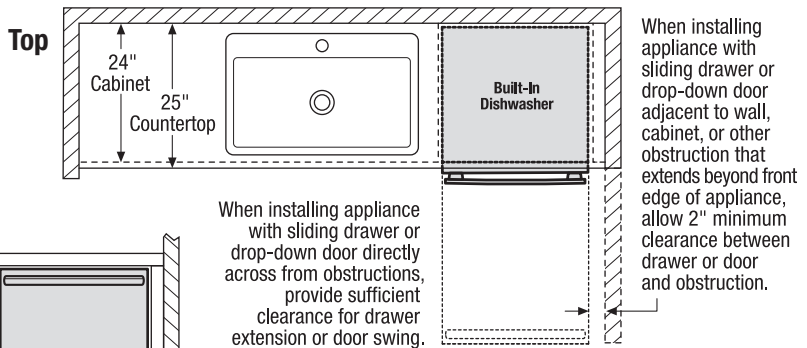
Clearance information for cooking appliances, provided in specific product's installation guide.



Top

*When installing side-by-side refrigerator adjacent to wall, cabinet or another appliance that extends beyond front edge of unit, 20" minimum clearance recommended to allow for optimum 120° to 180° door swing, providing complete drawer/crisper access and removal. (Absolute 4-1/2" minimum clearance will ONLY allow for 90° door swing which will provide limited drawer/crisper access with restricted removal.)

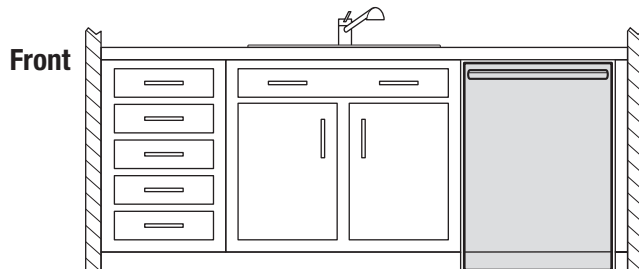
When installing appliance with sliding drawer, swinging or drop-down door directly across from obstructions, provide sufficient clearance for drawer extension or door swings.



Top

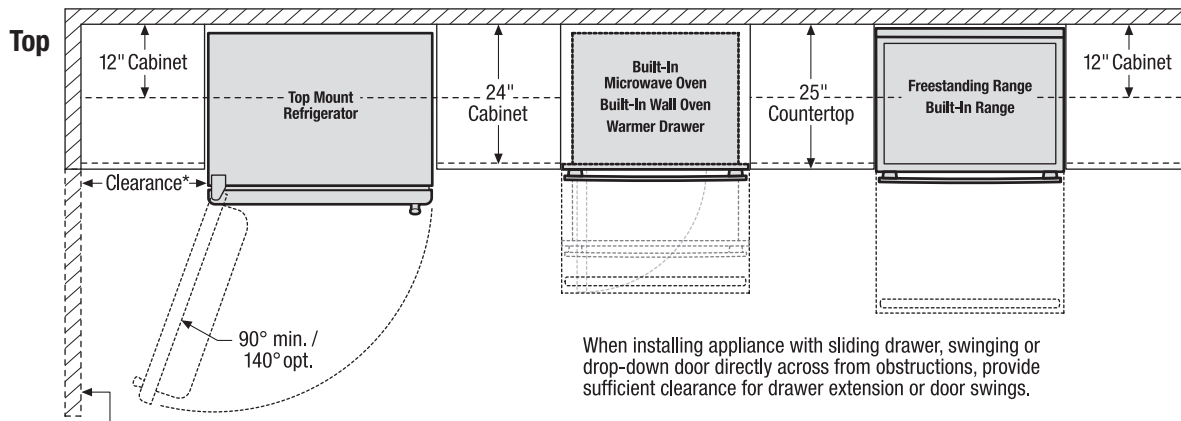
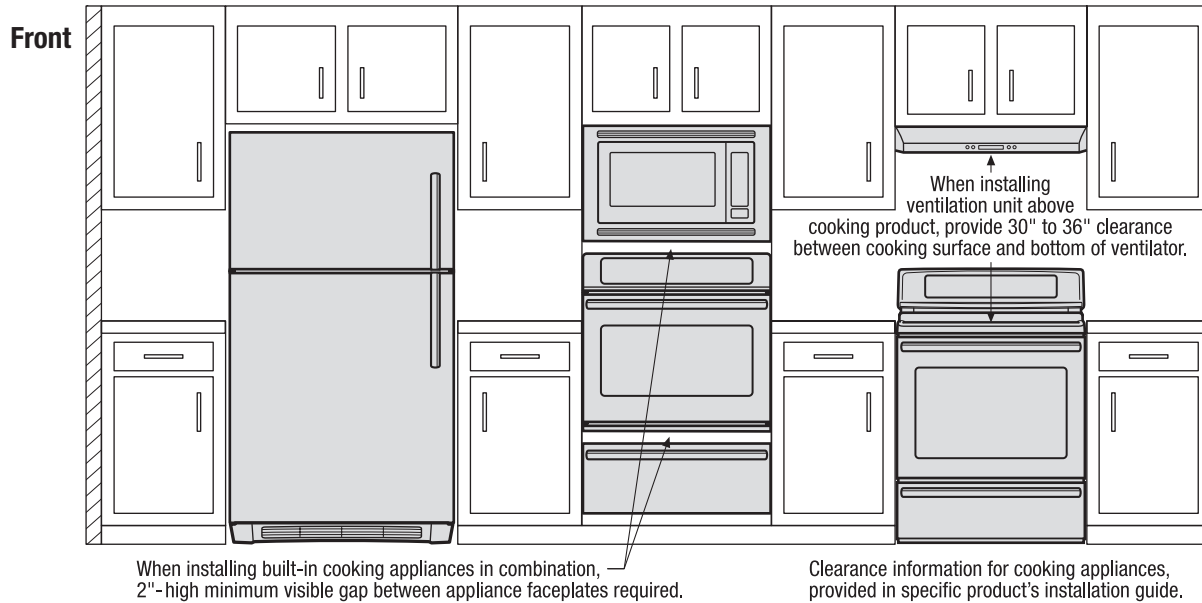
When installing appliance with sliding drawer or drop-down door adjacent to wall, cabinet, or other obstruction that extends beyond front edge of appliance, allow 2" minimum clearance between drawer or door and obstruction.

When installing appliance with sliding drawer or drop-down door directly across from obstructions, provide sufficient clearance for drawer extension or door swing.

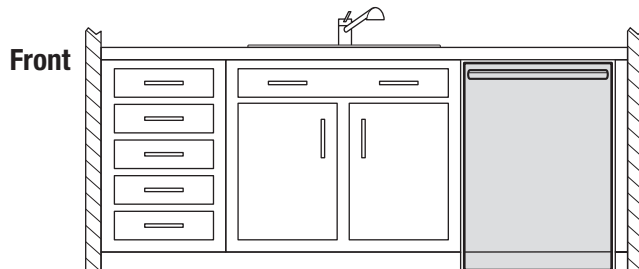
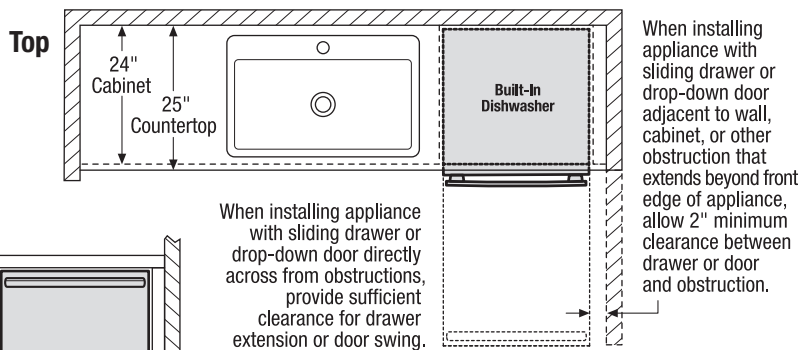


Front

Use these dimensions and clearance instructions for planning purposes only. For detailed installation instructions, refer to installation guide, packed with product, or on the web at frigidaire.com.

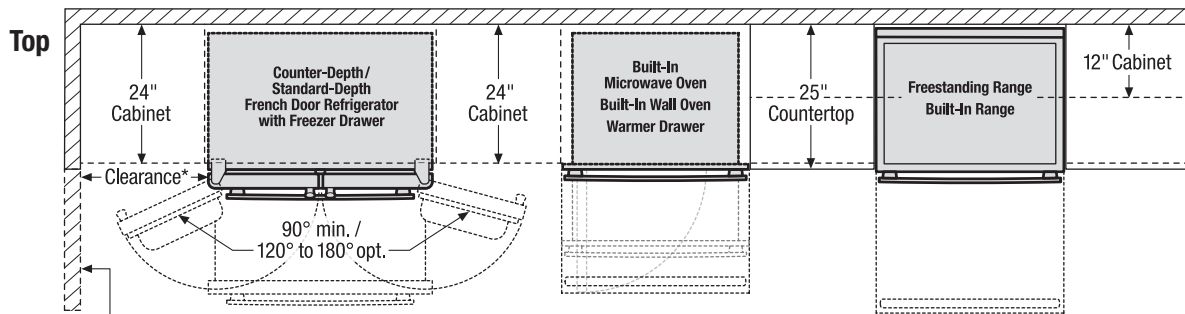
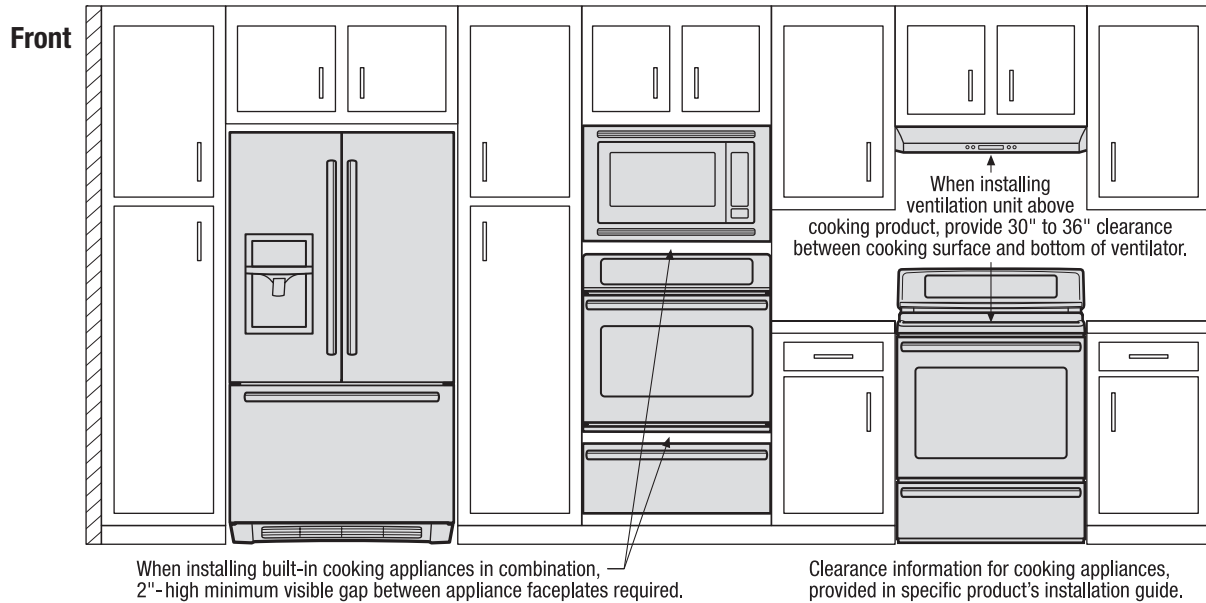


*When installing top mount refrigerator adjacent to wall, cabinet or other appliance that extends beyond front edge of unit, 20" minimum clearance recommended to allow for optimum 140° door swing, providing complete crisper access and removal. (Absolute 3" minimum clearance will ONLY allow for 90° door swing which will provide limited crisper access with restricted removal.)



When installing appliance with sliding drawer or drop-down door directly across from obstructions, provide sufficient clearance for drawer extension or door swing.

Use these dimensions and clearance instructions for planning purposes only. For detailed installation instructions, refer to installation guide, packed with product, or on the web at frigidaire.com.



*When installing French door refrigerator adjacent to wall, cabinet or another appliance that extends beyond front edge of unit, 20" minimum clearance recommended to allow for optimum 120° to 180° door swing, providing complete drawer/crisper access and removal. (Absolute 4-1/2" minimum clearance will ONLY allow for 90° door swing which will provide limited drawer/crisper access with restricted removal.)

When installing appliance with sliding drawer, swinging or drop-down door directly across from obstructions, provide sufficient clearance for drawer extension or door swings.

